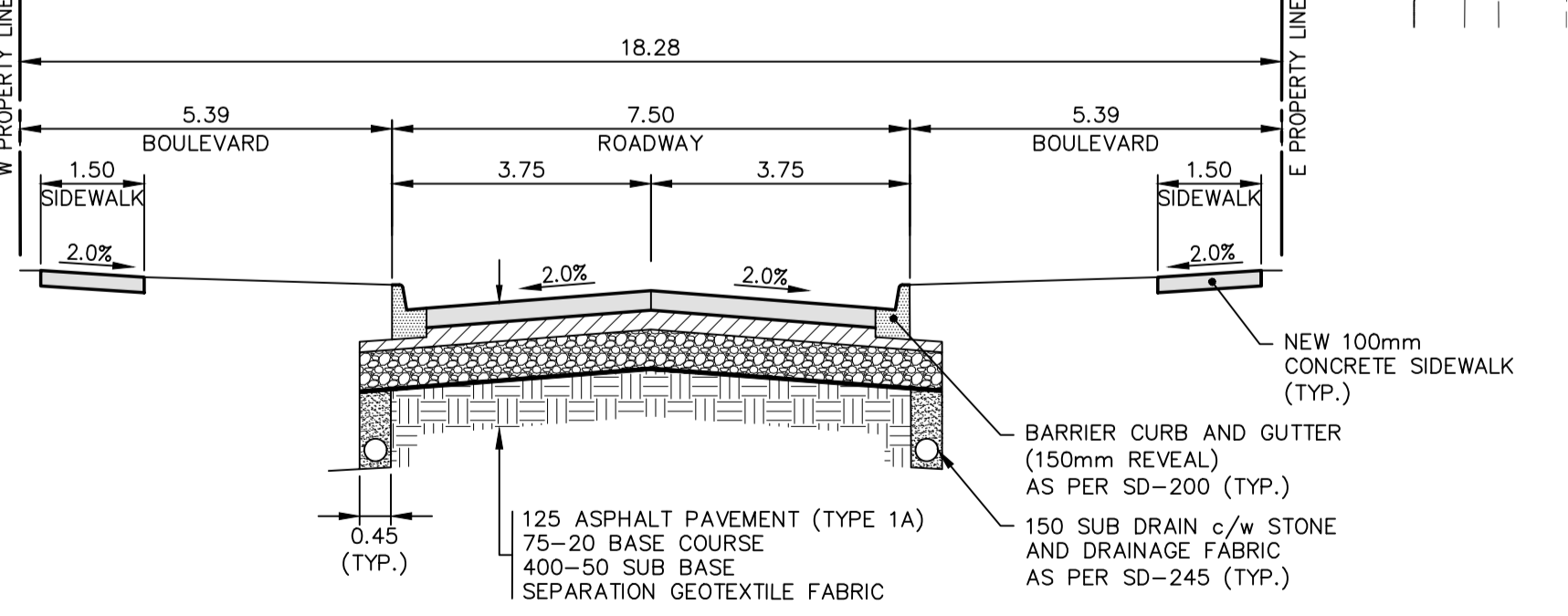


- NOTES:**
1. ALL WORK AND MATERIALS TO BE IN ACCORDANCE WITH THE LATEST REVISION OF THE CITY OF WINNIPEG STANDARD CONSTRUCTION SPECIFICATIONS.
 2. CONTRACTOR TO CONFIRM THE LOCATION OF ALL UTILITIES/SERVICES IN THE FIELD PRIOR TO CONSTRUCTION.
 3. ALL ROADWAY DIMENSIONS SHOWN ARE TO BACK OF CURB.
 4. RENEW CURB AND SIDEWALK AS IDENTIFIED BY CONTRACT ADMINISTRATOR.
 5. ALL PRIVATE WALKWAYS TO BE ADJUSTED TO NEW SIDEWALK OR TOP OF CURB ELEVATION, AS REQUIRED.
 6. ADJUST MH FRAMES, CB RIMS, AND VALVES TO NEW GRADES, AS REQUIRED.
 7. MODIFIED BARRIER CURB TO BE CONSTRUCTED AT ALL INTERSECTION RADII AND BACK LANE RADII.
 8. INSTALL 40mm LIP CURB THROUGH ALL RESIDENTIAL APPROACHES.
 9. LAMP STANDARDS, HYDRO POLES, AND ANCHORS THAT REQUIRE TEMPORARY SUPPORT, REMOVAL OR REPLACEMENT, TO BE DONE SO AT THE EXPENSE OF THE CONTRACTOR AS NECESSARY.
 10. CONTRACTORS TO TAKE PRECAUTIONARY STEPS TO PROTECT EXISTING TREES WITHIN THE LIMITS OF CONSTRUCTION FROM DAMAGE FROM CONSTRUCTION ACTIVITIES AS OUTLINED IN THE SPECIFICATIONS.
 11. ALL BOULEVARDS TO BE SODDED UNLESS OTHERWISE NOTED.
 12. ADJUST ALL WATER VALVES, HYDRANTS, MANHOLES, AND CATCH BASINS IN WORK AREA TO GRADE.

EXISTING	LEGEND-PLAN	PROPOSED	EXISTING	LEGEND-PLAN	PROPOSED	EXISTING	LEGEND-PROFILE	PROPOSED
---	WATER MAIN	---	---	IRON BAR	---	---	---	---
---	LAND DRAINAGE SEWER	---	---	HYDRO POLE & LIGHT STANDARD	---	---	---	---
---	WASTE WATER SEWER	---	---	LIGHT STANDARD OR TRAFFIC SIGNAL	---	---	---	---
---	HYDRO	---	---	HYDRO POLE	---	---	---	---
---	M.T.S.	---	---	CURB RAMP	---	---	---	---
---	GAS	---	---	DETECTABLE WARNING SURFACE TILE	---	---	---	---
---	SIGNALS	---	---	EDGE OF SIDEWALK	---	---	---	---
○	MANHOLE	●	---	FENCE	---	---	---	---
□	CATCH BASIN	■	---	PROPERTY LINE	---	---	---	---
△	CURB INLET	▽	---	EDGE OF ASPHALT	---	---	---	---
△	UTILITIES ADJUSTED	△	○	EDGE OF CONCRETE	---	---	---	---
└	PLUG	└	---	MODIFIED BARRIER CURB	---	---	---	---
◇	HYDRANT	◆	---	BARRIER CURB	---	---	---	---
⊙	VALVE	⊙	---	BARRIER CURB AND GUTTER	---	---	---	---
└	CURB STOP	└	---	CONCRETE SIDEWALK	---	---	---	---
---	GROUND GRADE	---	---	CONCRETE SLAB	---	---	---	---
(231.000)	PAVEMENT GRADE	(231.000)	---	ASPHALT	---	---	---	---
---	ANCHOR	---	---	MILLED SURFACE	---	---	---	---
#111	CIVIC ADDRESS	---	---	---	---	---	---	---



LOCATIONS APPROVED UNDERGROUND STRUCTURES

SIGNED BY: _____ DATE: _____

NO. REVISIONS

NO.	REVISIONS	DATE	BY
H			
G			
F			
E			
D			
C	ISSUED FOR TENDER	2019/12/03	R.H.
B	DETAILED DESIGN REVIEW	2019/09/29	K.G.
A	PRELIMINARY DESIGN REVIEW	2019/05/05	K.G.

LOCATION OF UNDERGROUND STRUCTURES AS SHOWN ARE BASED ON THE BEST INFORMATION AVAILABLE BUT NO GUARANTEE IS GIVEN THAT ALL EXISTING UTILITIES ARE SHOWN OR THAT THE GIVEN LOCATIONS ARE EXACT CONFIRMATION OF EXISTENCE AND EXACT LOCATION OF ALL SERVICES MUST BE OBTAINED FROM THE INDIVIDUAL UTILITIES BEFORE PROCEEDING

wsp

G.S.M. 238.243

ELEV. BENCHMARK LOCATION: TOP OF TOP NUT ON HYDRANT AT NORTHWEST CORNER OF OLIVE STREET AND NESS AVENUE

DESIGNED BY: K.G./L.V. CHECKED BY: V.M.

DRAWN BY: S.B. APPROVED BY: S.M.

HOR. SCALE: 1:250

VERTICAL: 1:10

RELEASED FOR CONSTRUCTION

DATE: JANUARY 2019

ENGINEERS SEAL

NOT FOR CONSTRUCTION

CONSULTANT ACAD DWG. NO. 18M-01969-00-34

THE CITY OF WINNIPEG

PUBLIC WORKS DEPARTMENT

ENGINEERING SERVICES DIVISION

2019 STREET RENEWAL PROGRAM

OLIVE STREET

ASPHALT RECONSTRUCTION

STA. 1+00 TO STA. 1+69.73

BID NO. 1271-2019

SHEET 07 OF 13

METRIC

WHOLE NUMBERS INDICATE MILLIMETRES

DECIMALIZED NUMBERS INDICATE METRES

ENGINEERS

GEOSCIENTISTS

MANITOBA

Certificate of Authorization

WSP Canada Group Limited

No. 6657

Dec 05, 2019 - 11:28am P:\2018\18M-01969-00 - 2019 Local Streets Package_19-R-03\Contract 1\10 Drawings\03 Working Drawings\18M-01969-Olive St Plan&Profile.dwg - (tab:1271-2019_Drawing_18M-01969-00-34-R-C